



HMA Expanded Beam Connectors



Overview

OFP's HMA Expanded Beam Connectors are designed for rapid deployment in the field, making use of their hermaphroditic interface. Available in both cable plug and panel mount bulkhead configurations.

The HMA is ideal for situations where there are extreme environments requiring consistent optical performance and minimal maintenance such as military communications, broadcast, oil & gas, and industrial markets.

Available as Singlemode, Multimode, or Hybrid and is resistant to shock, vibration, explosions, or prolonged mate-demate situations.

Key Features

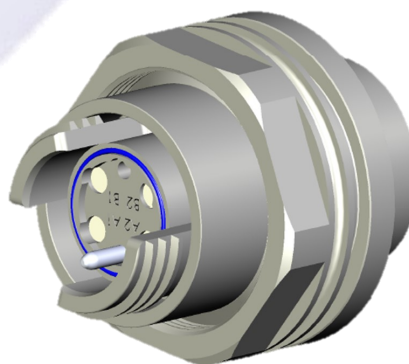
- Meets MIL-DTL-83526/20/21 standards
- Hermaphroditic interface
- Advanced Expanded Beam technology
- 1 to 4 fiber channels in Singlemode, Multimode, or Hybrid
- Easy to repair with no special tools required



Optical Fiber Packaging Ltd.

Holland Centre
Holland Road Industrial Estate
Haverhill
Suffolk
England CB9 8PR UK

Phone: +44 (0) 1440-766636
Phone: +1 909 5765854 (USA)
E-mail: sales@ofpgco.com



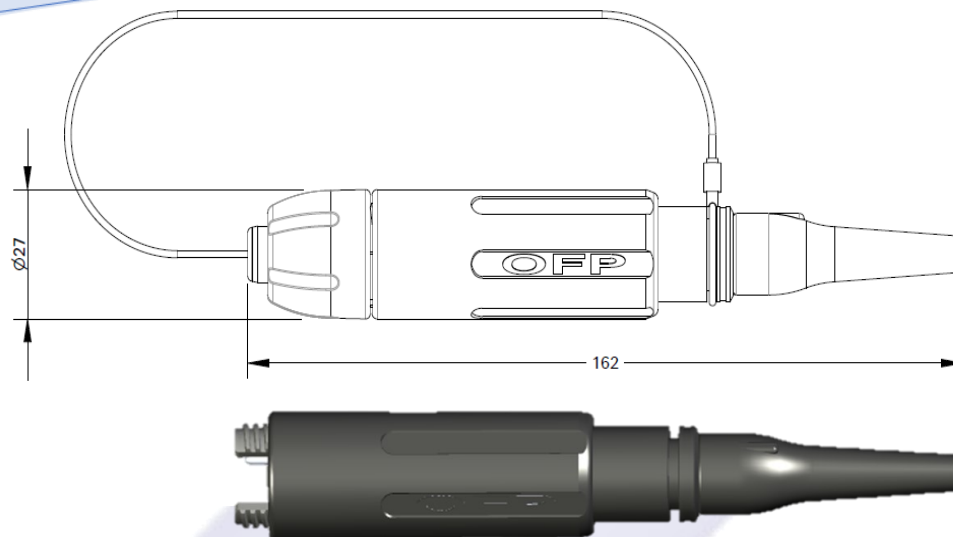
Options

- Fiber type: SM, MM, or Hybrid
- 90 degree back shell bulkhead
- Low profile bulkhead
- Conductive shell and O-rings
- Customizable boot for cable size
- Custom plating finishes

www.ofpgco.com



HMA Expanded Beam Connectors



Technical Specifications

Properties	Specifications
Typical Insertion Loss (dB)*	<0.8 dB MM, <1.0 dB SM
Max Insertion Loss (dB)*	<1.5 dB MM, <1.5 dB SM
Return Loss (dB)*	>23 dB MM, >32 dB SM
Cable Variations	Compatible with tactical cables
Water Immersion (Meters)	Up to 2 M
Environments	Air, Oil, Water
Vibrations	10-500 Hz, 0.75 amplitude at 10 g
Tensile Strength (Newtons)	2000 N, cable dependent
Durability	3000 matings
Impact Resistance	500 falls from 1.2m height (concrete)
Operating Temperature (Celsius)	-40 C to + 70 C
Storage Temperature (Celsius)	-55 C to + 85 C

* MM @ 850 nm, SM @ 1310 nm

For full technical specifications and complete HMA Expanded Beam Product Range please contact OFP for further details.

www.ofpgco.com



Optical Fiber Packaging Ltd.

Holland Centre
Holland Road Industrial Estate
Haverhill
Suffolk
England CB9 8PR UK

Phone: +44 (0) 1440-766636
Phone: +1 909 5765854 (USA)
E-mail: sales@ofpgco.com